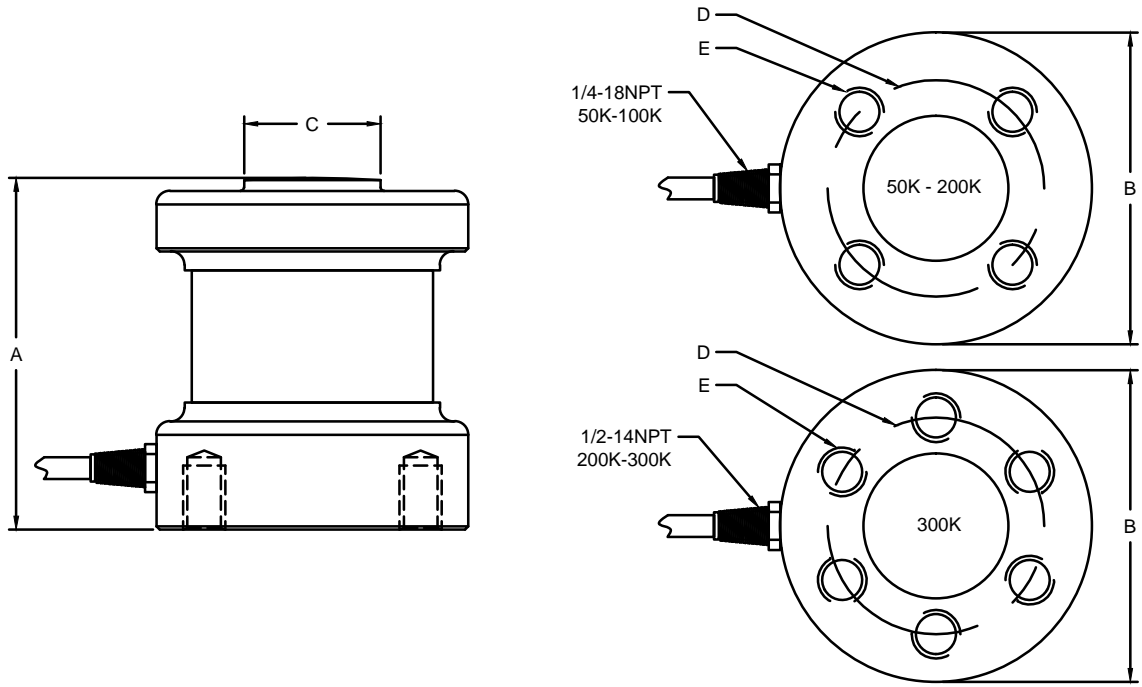


ZONE		REVISIONS					
LTR.	DESCRIPTION	DATE	ECN	BY	CKD	APVD	
-	C REDRAWN FOR CATALOG	05/22/15	2015-37	RLU	JSP	AA	



PERFORMANCE SPECIFICATIONS:

1. CAPACITIES: 50K, 100K, 200K, 300K. (LB)
2. RATED OUTPUT: 2.00 mV/V $\pm 0.25\%$.
3. SAFE OVERLOAD: 150% FS.
4. EXCITATION VOLTAGE: 10V AC/DC (15V MAX).
5. INPUT RESISTANCE: 385 $\pm 10\Omega$.
6. OUTPUT RESISTANCE: 350 $\pm 5\Omega$.
7. ZERO BALANCE: $\pm 1.00\%$ FS.
8. SEAL TYPE: ENVIRONMENTALLY SEALED IP67.
9. NON-LINEARITY: $\pm 0.05\%$ FS.
10. HYSTERESIS: $\pm 0.03\%$ FS.
11. REPEATABILITY: $\pm 0.01\%$ FS.
12. CREEP: $\pm 0.03\%$ FS IN 30 MINUTES.
13. COMPENSATED TEMPERATURE RANGE: -10°C TO $+40^{\circ}\text{C}$.
14. TEMPERATURE EFFECTON ZERO: $\pm 0.0027\%$ FS/ $^{\circ}\text{C}$.
15. TEMPERATURE EFFECT ON OUTPUT: $\pm 0.0015\%$ FS/ $^{\circ}\text{C}$.
16. INSULATION RESISTANCE: 5000 MEGOHMS.
17. LOAD CELL CABLE: 4-22AWG, $\varnothing 6.8\text{MM}$, BRAIDED, 50FT.
18. LOAD CELL WIRING:
 - GRN (+EXC)
 - BLK (-EXC)
 - WHT (+SIG)
 - RED (-SIG)
 - BRAID/YELLOW: SHIELD
19. FM APPROVED.

RATED CAPACITY	DIMENSIONS					
	A	B	C	D	E	
50K	3.25	2.88	1.25	2.00		3/8-24x0.40▼ (4 PLCS)
100K	5.00	3.94	2.31	3.00		1/2-20x0.88▼ (4 PLCS)
200K	6.62	5.94	3.00	5.00		3/4-16x0.88▼ (4 PLCS)
300K	7.00	5.94	3.00	5.00		3/4-16x0.88▼ (6 PLCS)

DO NOT ALTER WITHOUT AGENCY NOTIFICATION

COTI GLOBAL SENSORS, INC.

**CG-94(ALLOY) / CG-94-SS(SST)
CANISTER LOAD CELL**

<p>THIS DOCUMENT CONTAINS PROPRIETARY INFORMATION AND SUCH INFORMATION MAY NOT BE REPRODUCED OR DISCLOSED FOR ANY PURPOSE OR USED TO PRODUCE THE ARTICLE OR SUBJECT WITHOUT WRITTEN PERMISSION FROM COTI GLOBAL SENSORS, INC.</p>	<p>TOLERANCES UNLESS OTHERWISE SPECIFIED .XX = ± 0.02" .XXX = ± 0.005" .XXXX = ± 0.0002" FRACTIONS: $\pm 1/16$" ANGLES: DEC. $\pm 1/8$</p>	APPROVALS	DATE	<table border="1"> <tr> <td>SCALE</td> <td>SIZE</td> <td>PART/DRAWING NO.</td> <td>REV.</td> </tr> <tr> <td>NONE</td> <td>B</td> <td>DOD-CG-94</td> <td>C</td> </tr> </table>	SCALE	SIZE	PART/DRAWING NO.	REV.	NONE	B	DOD-CG-94	C
		SCALE	SIZE		PART/DRAWING NO.	REV.						
		NONE	B		DOD-CG-94	C						
		DRAWN: RLU	05/22/15									
		CHECKED: AA	05/22/15									
ENGINEER: JSP	05/22/15											
APPROVED: AA	05/22/15											
MATERIAL: ALLOY STEEL (CG-94) / STAINLESS STEEL (CG-94-SS)	FINISH: NICKEL PLATED (CG-94) / PASSIVATED (CG-94-SS)	MODEL: CG-94	SHEET 1 OF 1									