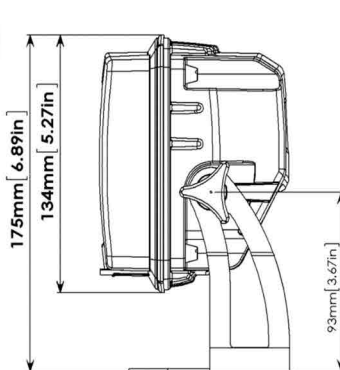
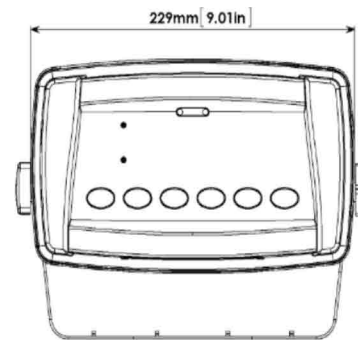


X320 – Data Sheet



Desk Mount Configuration



Desk Mount Front View

- IP68 and IP69K rated
- 3 band check weighing
- Built in check weigh display
- AC, DC and rechargeable NiMH battery options
- Trade Approved Australia/Europe/USA
- Built-in RS232 communications port
- Tough enclosure - impact resistant composite alloy housing

The **X320** combines innovation in **industrial design** and **engineering excellence** to create an instrument that is ideal for use in food processing, automotive, chemical or pharmaceutical applications or applications that require **reliable operation in harsh environmental conditions**. The X320 indicator builds on Rinstrum's already successful R320 indicator.

Constructed of a high tech plastic alloy that is:

- Food grade
- Chemical resistant
- Temperature resistant
- Impact resistant

Double 'o' ring seal which provides superior performance over traditional stainless steel enclosures.

IP69K rating: the industry's highest environmental protection rating - designed to withstand cleaning with high pressure water jets (1400psi) at high temperatures (up to 80°C) from multiple angles.

Built-in check weigh function – with 3 coloured high intensity LEDs

Isolated outputs - Over, Under, Pass. High side driver up to 400mA, allowing direct connection to PLCs and external actuators to be driven directly

Customisable - Programmable function key and configurable printing



X320		
Resolution	Up to 60,000 divisions, minimum of 0.25µV/division	
Zero Cancellation	± 2.0mV/V	
Span Adjustment	0.1mV/V to 3.0mV/V full scale	
Excitation	5 V for up to 4 x 350 or 8 x 700 ohm load cells (4-wire or 6-wire plus shield) Max total load cell resistance: 3,500Ω (4x350Ω Nontrade 8x350Ω)	
A/D Type	24bit Sigma Delta with 8,388,608 internal counts 20 updates/second	
Operating Environment	Temperature: -10° to +50°C ambient (14° to 122° F) Humidity: 100% IP69K	
Display	LED Backlit LCD with six 20mm (0.8") high digits with units and annunciators	
Setup and Calibration	Full digital with visual prompting in plain messages	
Digital Filter	Sliding window average from 0.1 to 4.0 s	
Zero Range	Selectable from ± 2% to ± 100% Full Scale	
Standard Power Input	12 to 24VDC, 9.6, 12 and 24V batteries (2.5 VA max) ON/OFF key with memory feature	
Variants	AC	AC Power supply: 110/240VAC 50/60Hz in 12VDC 1.2A out
	Battery	12V battery pack (rechargeable NiMH)
Case Materials	PC+Polyester alloy, PBT, Silicon Rubber, SS304 Stand	
Packing Weights	Basic Indicator: 2.0kg	
Optical Data Communications	Magnetically coupled infra-red communications Conversion cables available for RS232 or USB	
Serial Outputs	RS232 automatic transmit, network or printer outputs. Transmission rate: 2400, 4800, 9600 or 19200 baud	
Battery Backed Clock Calendar	Battery life 10 years minimum	
Input/Outputs	3 Outputs - isolated high side drive outputs (400mA each at 12-24VDC)	
	1 Input	
Set points	2	
Approvals	4,000 d @ 0.8uV/d NMI (S-420), OIML R76 10,000d III/III L NTEP 08-072 A1	