

B35

Shear Beam Load Cell

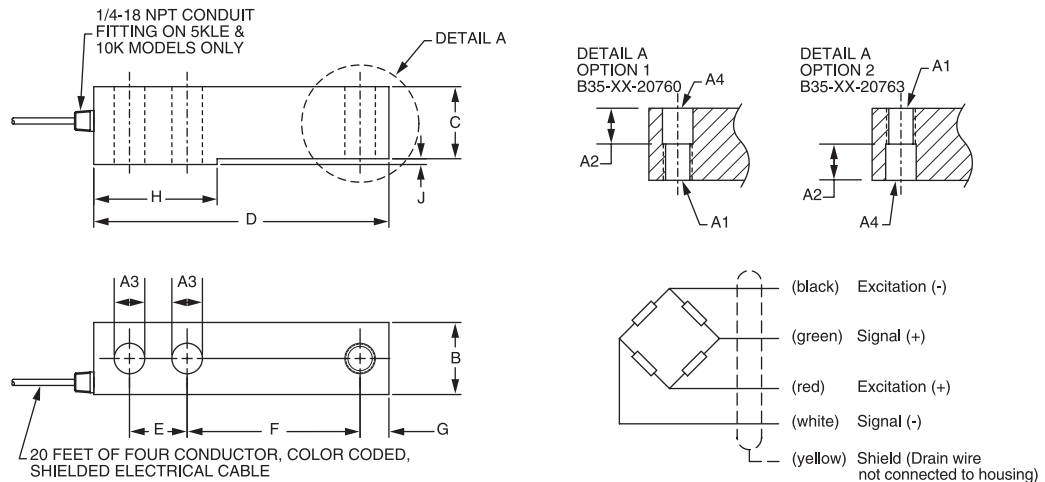


Special Features

- Capacity range from 250 to 10,000 Lbs.
- Low profile
- Extremely rugged
- High adverse load capability
- Environmentally protected
- Stainless steel construction
- FM Certified

Dimensions: inch (mm)

MAXIMUM CAPACITY (lbs)	A1	A2	A3	A4	B	C	D	E	F	G	H	J
250, 500	1/2-20 UNF-2B	0.50 (12.7)	0.53 (13.5)	0.53 (13.5)	1.21 (30.7)	0.93 (23.6)	5.12 (130.1)	1.00 (25.4)	3.00 (76.2)	0.50 (12.7)	2.86 (72.6)	0.07 (1.8)
500, 1K, 2K, 2.5K, 3K, 4K, 5KSE	1/2-20 UNF-2B	0.62 (15.8)	0.53 (13.5)	0.53 (13.5)	1.21 (30.7)	1.12 (28.45)	5.12 (130.1)	1.00 (25.4)	3.00 (76.2)	0.50 (12.7)	2.86 (72.6)	0.07 (1.8)
5KLE, 10K	3/4-16 UNF-2B	0.75 (19.1)	0.78 (19.8)	0.78 (19.8)	1.44 (36.6)	1.34 (34.04)	6.75 (171.5)	1.50 (38.1)	3.75 (95.3)	0.75 (19.1)	3.75 (95.3)	0.10 (2.5)



Specifications

Model Type		B35									
Accuracy class	-	NTEP Class III									
Maximum number of load cell intervals (n_{LC})	-	5000 Divisions Multiple									
Maximum capacity (E_{max})	lb	250	500	1000	2000	2500	3000	4000	5000	10000	
Minimum load cell verification interval (V_{min})	lb	-	0.05	0.10	0.20	0.25	0.30	0.40	0.50	1.00	
Sensitivity (C_n)	mV/V	3.0 ± .01									
Zero balance		0.0 ± .060									
Temperature effect on zero balance (TK_0)		± .02									
Temperature effect on sensitivity (TK_c) ¹⁾	% of C_n / 10°C										
Temperature range +20...+40°C [+70...+105°F]		± .0175									
-10...+20°C [+15...+70°F]		± .0117									
Hysteresis error (d_{hy}) ¹⁾	% of C_n	± 0.02									
Non-linearity (d_{lin}) ¹⁾		± 0.02									
Creep (d_{cr}) over 30 min.		± 0.03									
Input resistance (R_{LC})	Ω	≥ 385									
Output resistance (R_O)		350 ± 1.5									
Reference excitation voltage (U_{ref})	V	5									
Maximum excitation voltage (U_{max})		15									
Insulation resistance (R_{is})	GΩ	>5									
Nominal temperature range (B_T)		-10...40 [14...104]									
Service temperature range (B_{tu})	°C [°F]	-15...70 [5...158]									
Storage temperature range (B_{tl})		-15...85 [5...185]									
Safe load limit (E_L)	% of E_{max}	150									
Ultimate load limit (E_d)		300									
Lateral load limit (E_{lq})		100									
Permissible dynamic load (F_{srel}) (vibration amplitude according to DIN 50100)		70									
Deflection at E_{max} (S_{nom}), approx.		in	0.02								
Weight, approx.	lb	2.5								5.0	
Protection class to EN60529 (IEC529)		IP67									
Material: Measuring element		Stainless Steel									
Cable Fitting Gland		Neoprene									
Cable Sheath		Polyurethane									
Coating/Plating		Electro-polished					Sand blasted				

¹⁾ The sum of data for Non-linearity, Hysteresis and Temperature effect on sensitivity meets the requirements of NTEP HB44.



Due to continuous improvement, dimensions and specifications are subject to change without notice. All details describe our products in general form only. They are not to be understood as express warranty and do not constitute any liability whatsoever. Please request certified drawings before designing mountings or fixtures.

HBI/DS-B35-051-Rev1

HBM, Inc.

19 Bartlett Street
Marlborough, MA 01752
Tel. 800-578-4260 • 508-624-4500
Fax 508-485-7480
E-mail: info@usa.hbm.com
Internet: www.hbm.com



measurement with confidence